

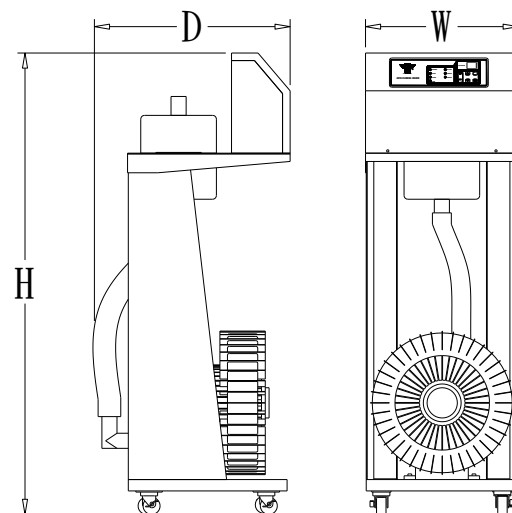
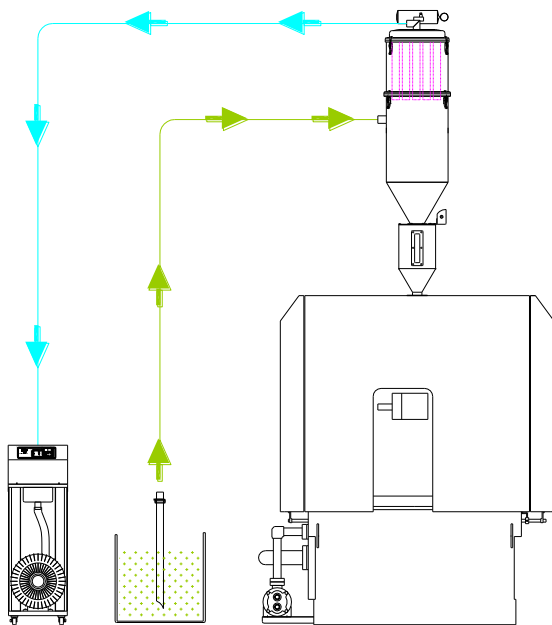
# AUTO POWDER LOADER

## FEATURES:

1. Equipped with two-stage blower.
2. Well designed protection for electricity, motor and material shortage alarm.
3. Microprocessor controller monitors the operation status easily.



## FLOWCHART:



## SPECIFICATIONS

Model		KAL-235P		KAL-250P		KAL-275P	
Blower	Type	Two-stage blower					
	Power	50HZ	KW	2.2	3.4	5.5	
		60HZ		2.6	3.7	6.3	
Dimension (W*D*H)		CM	40*70*130			54*100*170	
Approx. weight		KG	70	75	140		
Remarks		1. We reserve the right to change specifications without prior notice.					