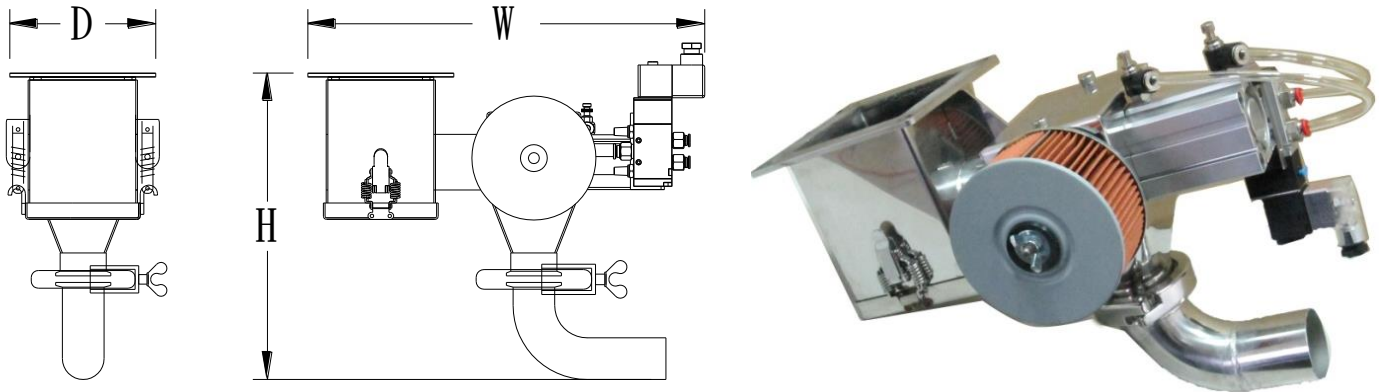


SUCTION BOX WITH PIPING-PURGE DEVICE

FEATURES:

Installed at the bottom of hopper dryer or material tank to stop the supply of material and residual material can be purged from pipeline.



SPECIFICATION:

Model	1.5"	KSBP-115	KSBP-215	KSBP-315	KSBP-415
	2"	KSBP-120	KSBP-220	KSBP-320	KSBP-420
Ports of material outlet		1	2	3	4
Connection Base	MM	150*150 (120*120 → ϕ 10*4PCS)			
Dimension (W*D*H)	CM	35*23*36	54*23*36	54*31*36	54*43*36
Approx. weight	KG	4.5	7.2	10.5	12.5
Remarks	We reserve the right to change specifications without prior notice.				