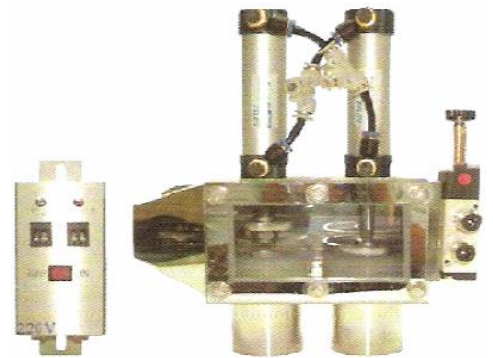
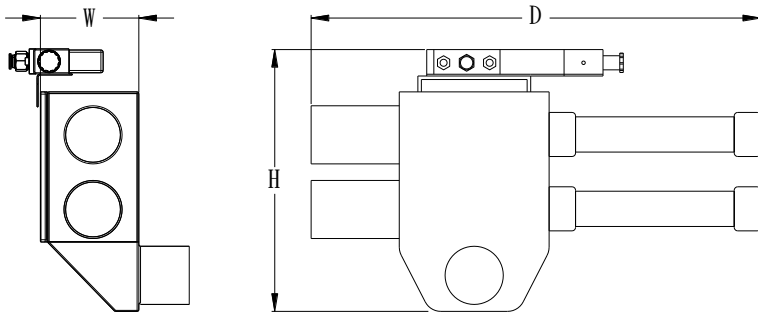


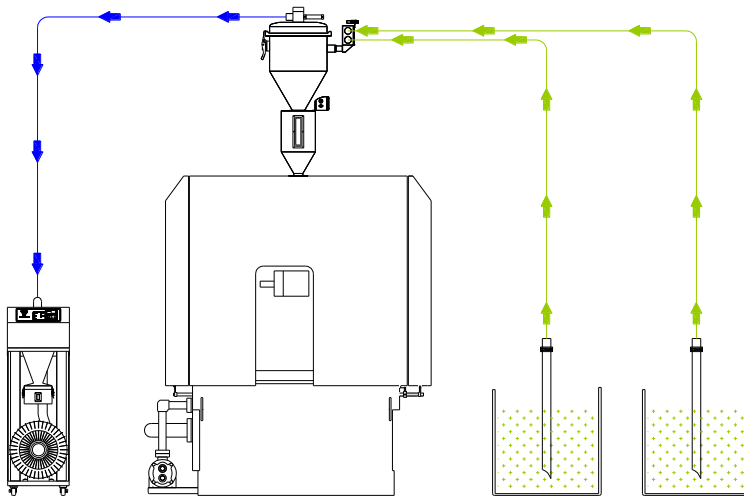
PROPORTIONAL VALVE

FEATURES:

It offers a simple & economical method to mix virgin and regrind material by way of suction time setting.



FLOWCHART:



SPECIFICATION

Model	Piping (MM)	Driving type	Dimension(CM) (W*D*H)	Approx. weight (KG)
KPV-15	38.1	Twin cylinders	25*13*19	2.0
KPV-20	50.8			2.5
Remarks	1. We reserve the right to change specifications without prior notice.			