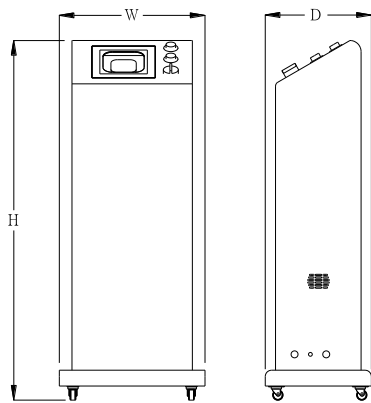


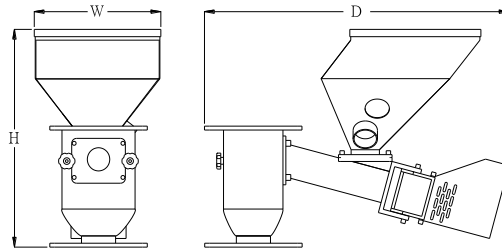
# AUTO MASTER-BATCH DOSER

## FEATURES:

1. Simultaneous coloring automatically for saving working hours and storage space.
2. Master-batch diversion designed is to ensure more consistent & accurate mixing and to change materials quickly.
3. It can dose master-batch and material accurately without mixer.
4. Using servo motor to control RPM speed of dosing motor exactly and utmost accurate dosing.
5. The master-batch hopper equipped with material shortage alarm for convenient operation.
6. PLC & human-machine touch panel controller will calculate RPM speed properly and be able to save up to 20 sets of data.
7. For the time of injection machine screw back in unstable sometimes, the dosing timer is designed in injection type (KIMD series).
8. To ensure the color consistency, doser RPM of extruder type (KEMD series) will operate simultaneously when the RPM of extruder screw is adjusted.

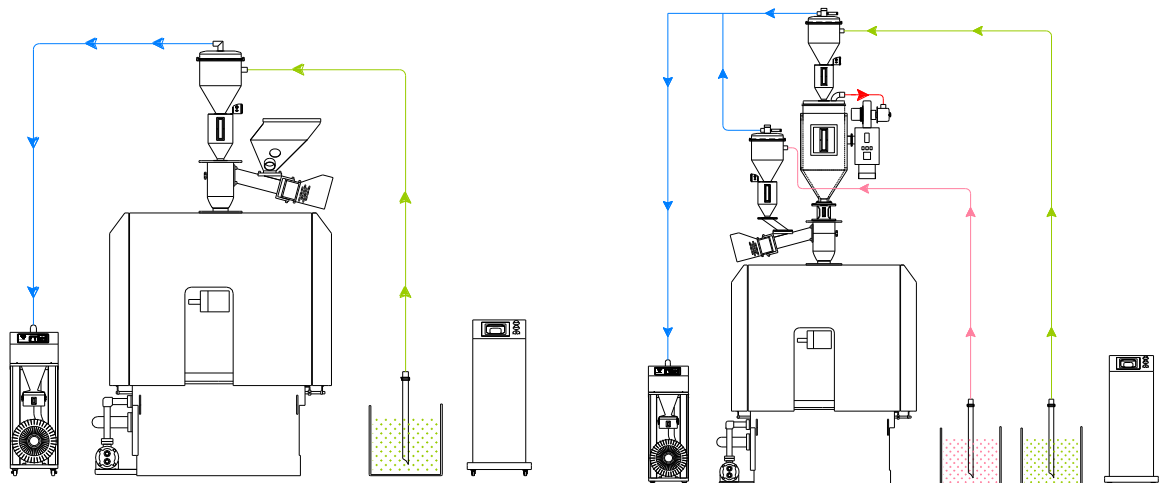


Controller



Machine

## FLOWCHART:





## SPECIFICATIONS

1 of 1

Model		Injection type		KIMD-06	KIMD-08	KIMD-15	KIMD-30	KIMD-45	KIMD-60
		Extruder type		KEMD-06	KEMD-08	KEMD-15	KEMD-30	KEMD-45	KEMD-60
Dosing screw		Diameter	MM	φ 6	φ 8	φ 15	φ 30	φ 45	φ 60
		Color type		White	Green	Red	Blue	Black	Gray
Dosing motor		Type		Servo motor					
		Torque	KG	44			66		
		Speed	RPM	1~1000					
Control type			Touch panel with 5.7" human-machine interface & PLC controller						
Dosing capacity per turn		GRAM/TURN		0.28	0.5	2.1	4.1	28.9	145.8
Dosing capacity per hour		KG/HR		0.02~16.8	0.03 ~ 30.0	0.13 ~ 126.0	0.30 ~ 246.0	1.74 ~ 1,734.0	8.75 ~ 8,748.0
Master-batch hopper		LITER		15					
Power utility			Single phase						
Total load		KW		0.3			0.5		
Connection base		MM		200*200					
Dimension (W*D*H)		Machine		67*34*45					
		Controller		46*34*113					
Approx. weight		Machine		29					
		Controller		40					
Options			1.Material receiver		2.Auto loader				
Remarks			1.Dosing capacity will be varied a little with material type. 2.We reserve the right to change specifications without prior notice.						